



Ductile Iron Y-Strainer

Ductile Iron Y-Strainer

Design

The Waterworks Fusion Bonded Epoxy Coated Ductile Iron Y Strainer designed to fit Table E Flanges, features a 304 stainless steel mesh with specific dimensions for optimal straining performance. Suitable for wastewater and various other applications requiring effective filtration, the Y Strainer offers simplicity and efficiency in its design. It has undergone testing as per API 598 standards to ensure its quality and reliability.

Sizes

50mm – 200mm.

Temperature Range

0°C to 80°C.

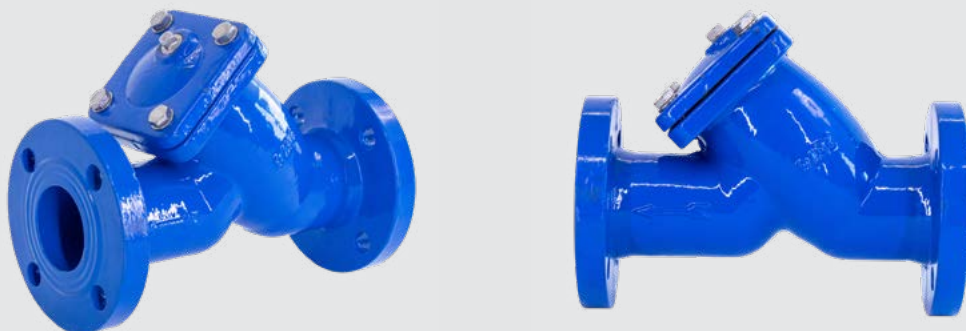
Pressure Rating

0 - 16Bar.

Approvals & Certifications

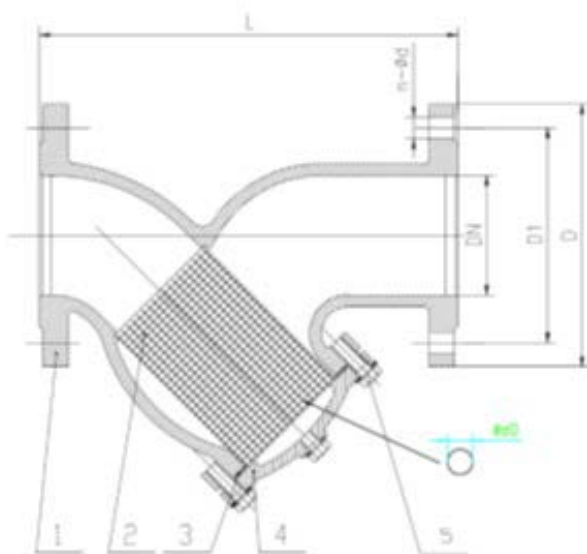
AS2129 Table E
AS4087 PN16
API 598
CE, ISO 9001, TUV, WRAS

Model	DN (mm)	Pressure Range	Media Temperature	Weight (kg)	Plug Size
YSCF-050	50	0-16 Bar	0-80°C	9.6	¼"
YSCF-065	65	0-16 Bar	0-80°C	12.3	3/8"
YSCF-080	80	0-16 Bar	0-80°C	17	½"
YSCF-100	100	0-16 Bar	0-80°C	28.1	½"
YSCF-150	150	0-16 Bar	0-80°C	48.9	1"
YSCF-200	200	0-16 Bar	0-80°C	82.3	1"



Technical Information

Dimensions:



DN	L	D	D1	n-d	d0	Mesh
50	230	150	114	4*18	2	10
65	290	165	127	4*18	2	10
80	310	185	146	4*18	3	7
100	350	215	178	8*18	3	7
150	480	280	235	8*22	4.5	4
200	600	335	292	8*22	5	4

All dimensions in mm unless shown otherwise.

Materials:

Number	Part	Material	Grade	Standard
1	Body	Ductile Iron	GGG50	ASTM A536
2	Screen	Stainless Steel	SS304	ASTM A370
3	Seating	Rubber	EPDM	
4	Bonnet	Ductile Iron	GGG50	ASTM A536
5	Bolt	Stainless Steel	SS304	ASTM A370



SCAN ME

Scan the QR code to view our
Ductile Iron Y-Strainer online.



Contact us to discuss your pipeline project 0800 387 677



Auckland | New Plymouth | Wellington

Head Office: 90 Hurlstone Drive, New Plymouth

e: support@waterworks.co.nz

www.waterworks.co.nz